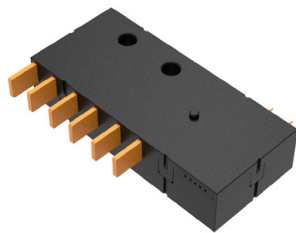


# MLF-120



- 100A/120A 触点切换能力
- 线圈与触点间耐压为 4KV
- 环保产品 (符合 RoHS)
- 可根据客户要求设计附件
- 外形尺寸 106×46×22mm
- 100A/120A Switching Capability
- 4KV Dielectric Strength (Between Coil And Contact)
- Environment-Friendly Product (RoHS Compliant)
- Accessories Can Be Customized
- Dimensions: 106×46×22 mm

	<b>MLF</b>	-	<b>120</b>		<b>3</b>		<b>12</b>		<b>B</b>		<b>L1</b>		<b>R</b>		<b>XXX</b>
产品型号 Model	负载规格 Load	触点组数 Number of Poles	线圈电压 Coil Voltage	触点形式 Contact Form	线圈类型 Coil Type	极性特点 Polarity	特性号 Special Code								
	100:100A; 120: 120A	3: 3组 Groups	06: 6VDC; 09: 9VDC; 12: 12VDC; 24: 24VDC	A: 常开 NO B: 常闭 NC	L1: 单线圈 Single L2: 双线圈 Double	无 nil: 正极性 Positive Polarity R: 反极性 Negative Polarity	XXX: 客户特殊要求 Customer Special Requirement								

## 触点参数 CONTACT PARAMETERS

触点形式 Contact Form	3a、3b
触点材料 Contact Material	银合金 Silver Alloy
接触电阻 Contact Resistance	≤ 1mΩ (1A 6VDC)
触点负载 Contact Rating	100A/120A 250VAC (阻性 Resistive)
最大切换电流 Max.Switching Current	100A/120A (阻性 Resistive)
最大切换电压 Max.Switching Voltage	250VAC (阻性 Resistive)
最大切换功率 Max.Switching Power	3000KVA
电气寿命 Electrical Life	1×10 <sup>4</sup> 次 OPS
机械寿命 Mechanical Life	1×10 <sup>5</sup> 次 OPS

## 性能参数 CHARACTERISTICS

绝缘电阻 Insulation Resistance	1000MΩ Min. (500VDC)	
介质耐压 Dielectric Strength	触点与线圈间 Between Coil & Contacts: 4000VAC 1min 断开触点间 Between Open Contacts: 2000VAC 1min	
动作时间 Set Time	≤ 30ms	
复归时间 Reset Time	≤ 30ms	
冲击 Shock	功能性的 Functional	98m/s <sup>2</sup>
	破坏性的 Destructive	980m/s <sup>2</sup>
振动 Vibration	10Hz~55Hz 1.5mm 双振幅 (DA)	
湿度 Humidity	45%~90%RH	
温度范围 Ambient Temperature	-40°C ~ +85°C	
封装方式 Construction	防尘罩型 Dust Protected	
重量 Unit Weight	约 Approx.250g	

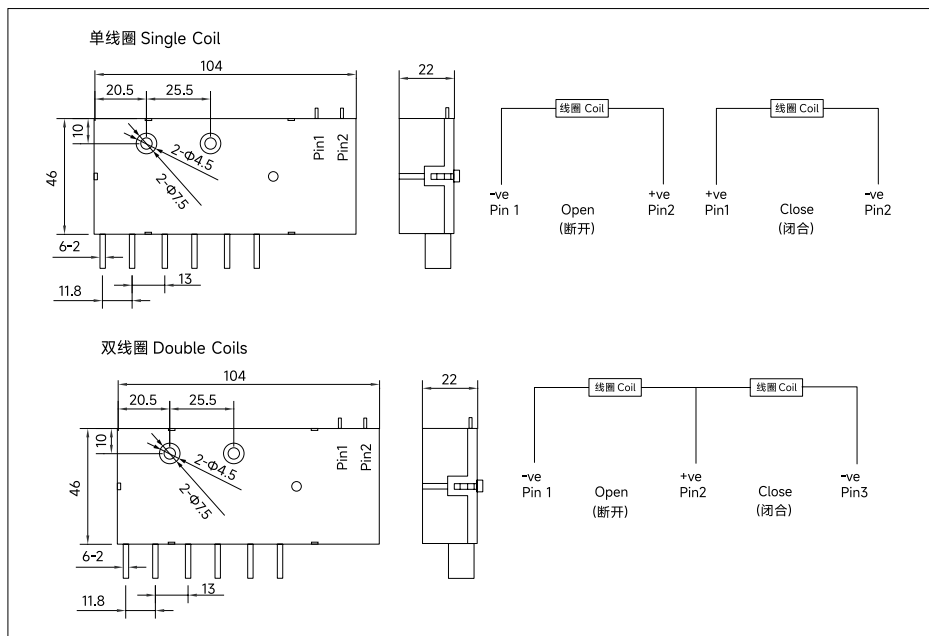
# MLF-120

## 线圈规格表 COIL DATA(23°C)

额定电压 Rated Voltage VDC	动作 / 复归电压 Set/reset voltage VDC	脉冲宽度 Pulse Duration ms	线圈电阻 Coil Resistance $\Omega \pm 10\%$	线圈功耗 Coil Power W	
6	$\leq 4.2$	$\geq 50$	单线圈 Single Coil Latching	约 Approx. 5	
9	$\leq 6.3$				7.2
12	$\leq 8.4$				16.2
24	$\leq 16.8$				28.8
6	$\leq 4.2$		双线圈 Double Coils Latching	约 Approx. 10	
9	$\leq 6.3$				3.6/3.6
12	$\leq 8.4$				8.1/8.1
24	$\leq 16.8$				14.4/14.4
			57.6/57.6		

## 外形尺寸 OUTLINE DIMENSIONS

单位 Unit: mm



### 备注 Notes:

1) 产品部分外形尺寸未注尺寸公差, 当外形尺寸 $\leq 1$ mm, 公差为 $\pm 0.2$ mm; 当外形尺寸在1-5mm之间时, 公差为 $\pm 0.3$ mm; 当外形尺寸 $> 5$ mm时, 公差为 $\pm 0.4$ mm。

In case of no tolerance shown in outline dimension: outline dimension  $\leq 1$ mm, tolerance should be  $\pm 0.2$ mm; outline dimension  $> 1$ mm and  $\leq 5$ mm, tolerance should be  $\pm 0.3$ mm; outline dimension  $> 5$ mm, tolerance should be  $\pm 0.4$ mm;

2) 安装孔尺寸中未注尺寸公差均为 $\pm 0.1$ mm。

The tolerance without indicating for PCB layout is always  $\pm 0.1$ mm.

# MLF-120

1. 磁保持继电器出厂状态为动作或复归状态，但因运输或继电器安装时受到冲击等因素的影响，可能会改变状态，因而使用时（电源接入时）请根据需要重新将其设置为复归状态或动作状态；

Relay is on the "reset" or "set" status when being released from stock, with the consideration of shock risen from transit and relay mounting, relay would be changed to "reset" or "set" status, therefore, when application (connecting the power supply), please reset the relay to "reset" or "set" status on request.

2. 为了确保磁保持继电器动作或复归，施加到线圈上的激励电压须达到额定电压，脉冲宽度须大于动作或复归时间的 5 倍；不要同时向动作线圈和复归线圈施加电压；不要长时间（大于 1 分钟）向线圈施加电压；

In order to maintain "reset" or "set" status, energized voltage to coil should reach the rated voltage, impulse width should be 5 times more than "reset" or "set" time. Do not energize voltage to "reset" coil and "set" coil simultaneously. And also, long energized time (more than 1min) should be avoided.

3. 不带软铜绞线的磁保持继电器负载引出脚不能焊锡，不能随意扳动。

The terminals of relay without twisted copper wire cannot be tin-soldered, cannot be moved willfully, more over two terminals can't be fixed at the same time.

4. 继电器通常为防尘罩结构，外附件按照客户特殊要求定制，所以推荐此产品的储存时间小于 6 个月，并注意仓储环境；同时为保证产品接触可靠性，在客户没有特别申明的情况下，我司将控制继电器触点为闭合状态。

Relays used for metering measuring applications are usually made with dust proof structure, while most relays could be made specially per customer's specific requirements. No longer than 6 months' storage time is recommended for this kind of relay, and please pay attention to the storage environment. To ensure contact reliability, we will keep contact status be closed when delivery if no special required by customer.

5. 本产品规格书仅供客户使用时参考，若有更改，恕不另行通知。

This product specification for client's reference, if any change without notice.

6. 对美硕而言，不可能评定继电器在每个具体应用领域的性能参数要求，因而客户应该根据具体的使用条件选择与之相匹配的产品，若有疑问，请与美硕联系获取更多的技术支持。但产品选型责任仅由客户负责。

For MEISHUO, cannot require evaluation of relays in each specific application of all the performance parameters, so customers should be selected according to the matching conditions for the use of specific products, if you have any questions, please contact us and get more technical support. However, product selection responsibility only by the customer.